

LOVOL

MAKE WORLD BETTER



Rated Power 129kW/2200rpm

Operating Weight 21500kg

Bucket Capacity 0.96m³

FR215E₂
EXCAVATOR



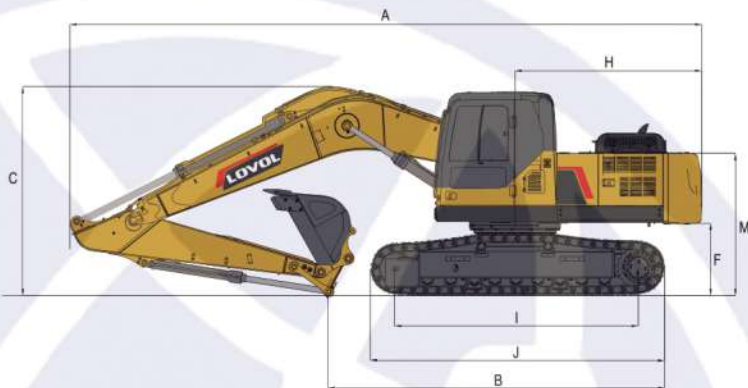
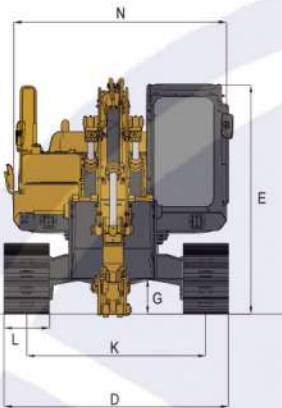
PT. HASTA KARYA ANANTA

SALES - RENTAL - SERVICE - SPAREPART - TRADE IN

FR215E-2

LOVOL CONSTRUCTION MACHINERY GROUP

TECHNICAL SPECIFICATIONS

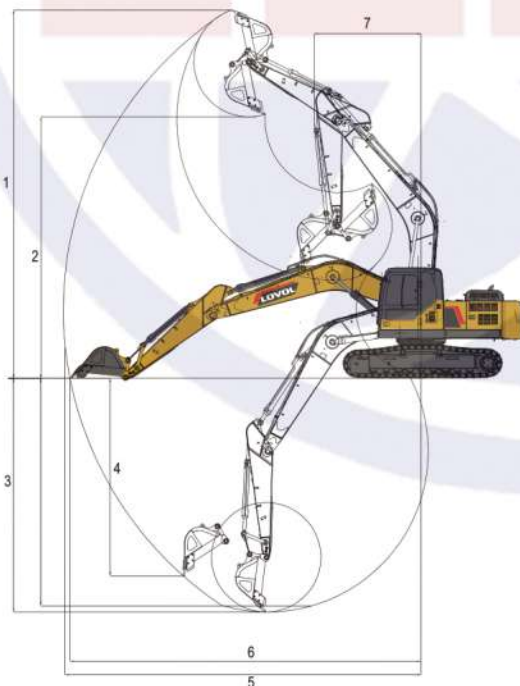


Working Range

Max. Digging Height	1	10190mm
Max. Dumping Height	2	7260mm
Max. Digging Depth	3	6510mm
Max. Vertical Digging Depth	4	5980mm
Max. Digging Radius	5	9875mm
Max. Ground Digging Radius	6	9690mm
Min. Turning Radius	7	2910mm

Dimensions

Shipping Length	A	9580mm
Shipping Ground Length	B	5030mm
Boom Height	C	3060mm
Shipping Width	D	2800mm
Cab Height	E	3060mm
Ground Clearance of Counter Weight	F	1090mm
Min. Ground Clearance	G	443mm
Tail Turning Radius	H	2880mm
Length to Center of Rollers	I	3275mm
Track Length	J	4020mm
Track Gauge	K	2200mm
Track Shoe Width	L	600mm
Hood Height	M	2150 mm
Rotary Platform Width	N	2700mm



Other Specifications

Boom Length	5700mm
Arm Length	2925mm
Track Section Number (each side)	45
Track Roller Number	7

E-mail: rizky@hka.co.id
Tel: +62813 8335 4828
Website: www.lifterindo.com

