

# LOVOL

CONSTRUCTION EQUIPMENT

**ROBUST • RELIABLE • SUPPORTED**



**Excavators**

## FR220D

- *Isuzu Motor* - 113 kw / 2100 rpm
- *Standard Piped for Attachment*
- *Operating Weight* - 22 200 kg
- *Bucket Capacity* - 1.1m<sup>3</sup>

# Technical Specifications

## ENGINE

Model:	AA-6BG1 TRP-03
Type	Diesel
Aspiration	Direct injection type
Number of Cylinders	6 Cylinders
Bore	105mm
Stroke	125mm
Horsepower	153.9hp (113kW)
Rated RPM	2100

## HYDRAULICS

Main pump type	Kawasaki
Main Valve	Kawasaki
Swing Motor	Kawasaki
Boom Cylinder	Wuxi Hengli
Bore	120mm
Stroke	1335mm
Stick Cylinders	Wuxi Hengli
Bore	135mm
Stroke	1490mm
Bucket Cylinder	Wuxi Hengli
Bore	115mm
Stroke	1120mm
Travel Circuit	34.3 MPa
Implement Circuit	37.3 MPa
Swing Circuit	27.5 MPa
Pilot Circuit	3.5 MPa
Hydraulic Piping	
Pump Flow	209
Pump Pressure	34,2

## UNDERCARRIAGE

Frame:	X-Type
Rail Distance	2380mm
Wheelbase	3649
Track Width of Shoe	600mm
Undercarriage Width	2980mm
Track Length	4385mm
Ground Contact Length	3640mm
Ground Pressure	45 kpa

## DRIVE

Travel Motor	KYB
Maximum Travel Speed	5.4 km/h

## SWING SYSTEM

Drive Method	Hydrostatic
Swing Speed	11 rpm

## FRONT LINKAGE

Boom Length	5700mm
Stick Length	2410mm / 2940mm
Bucket Type	Rock Bucket
Bucket Capacity	1.1m <sup>3</sup> Struck
Bucket Width	1165mm

## SERVICE REFILL CAPACITIES

Fuel Tank	385L
Cooling System	20L
Engine Oil	22L
Swing Motor	4L
Final Drive	5L
Hydraulic Tank	220L

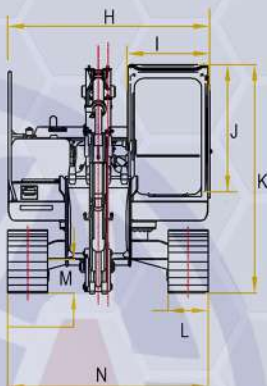
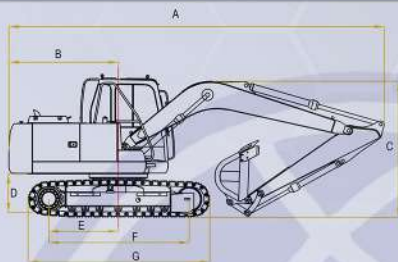
## HYDRAULIC LOG GRAB

Max Jaw Opening	2300mm
Hydraulic Working Pressure	160-180bar
Hydraulic Flow	100-140 l/m
Weight	1380kg
Suitable for Excavators	17-23ton

## HYDRAULIC QUICK COUPLER

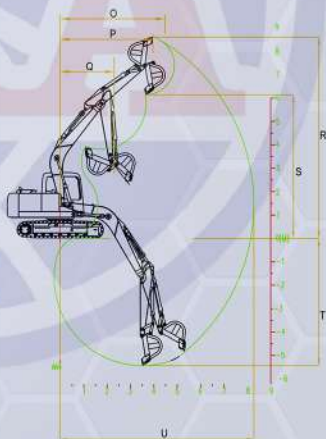
Pin Diameter	80mm
Weight	350kg
Hydraulic Working Pressure	30-400bar
Hydraulic Flow	10-20 l/m
Suitable for Excavators	18-25ton

# Dimension Specifications



Overall Dimensions (mm)	2410mm	2940mm
-------------------------	--------	--------

A) Overall Length	9660	9580
B) Rear and swing radius	2880	2880
C) Overall height of boom	3370	3060
D) Counterweight clearance	1090	1090
E) Center to middle of drive train	1850	1850
F) Distance between tumbler	3640	3640
G) Undercarriage length	4385	4385
H) Overall width of upperstructure	2875	2875
I) Cab width	1000	1000
J) Cab height	1700	1700
K) Overall height to top of cab	3050	3050
L) Track shoe width	600	600
M) Ground clearance	443	443
N) Undercarriage width	2980	2980



Working Ranges (mm)	2410mm	2940mm
---------------------	--------	--------

O) Minimum cutting height	5540	5540
P) Cutting height	4820	5170
Q) Min swing radius	3080	2910
R) Max cutting height	9885	10190
S) Max dumping height	6960	7260
T) Max digging depth	6000	6510
U) Center to max digging depth	9450	9875