



K-Series
MOBILE ELEVATING WORK PLATFORM

XGS25K



PT. HASTA KARYA ANANTA

SALES - RENTAL - SERVICE - SPAREPART - TRADE IN



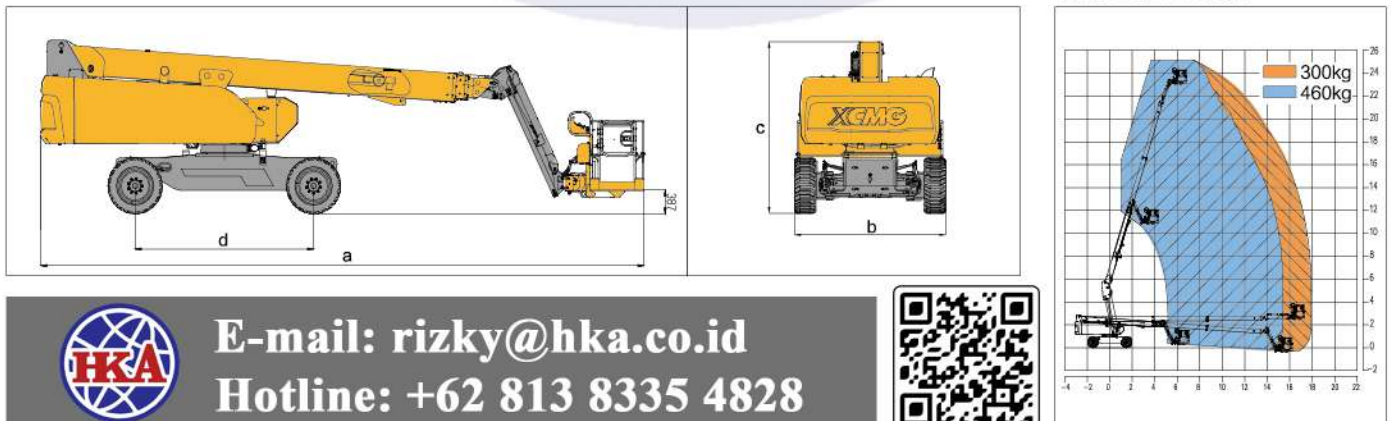
Parameter

Item	Unit	XGS25K
Dimension		
a.Overall length(stowed)	mm	10240
Overall length(transportation)	mm	9750
b.Overall width	mm	2490
c.Overall height	mm	2820
Platform dimension	mm	2440 × 900 × 1150
d.Wheelbase	mm	3000
Max. working height	mm	25000
Max. platform height	mm	23000
Max. working range	mm	17900
Performance		
Max.load capacity	kg	300 (Unrestricted) / 460 (Restricted)
Walking speed(stowed)	km/h	5.1
Walking speed(elevated/extended)	km/h	0.6
Boom luffing range	°	-4 ~ 73
Rotation angle of turntable	°	360
Tailswing	mm	1950
Rotation angle of platform	°	160
Min. turning radius (outside)	%	6.2
Overall weight	kg	12750
Max. gradeability (counterweight upwards)	%	45% (24°)
Max. gradeability (counterweight downwards)	%	30% (17°)
Power source		
Engine model	/	Yuchai YCF3050-T423
Rated power	kW (r/min)	36.8 (2400)
Hydraulic tank capacity	L	165
Hydraulic system capacity	L	240
Fuel tank capacity	L	180

Options

Anti extrusion device / Tool tray / Working light / Anti-squeeze hand-assisted track of the platform
Half-height mesh platform / Aircraft protection device / Anti-falling assembly

Work Curve Graph



E-mail: rizky@hka.co.id
Hotline: +62 813 8335 4828

